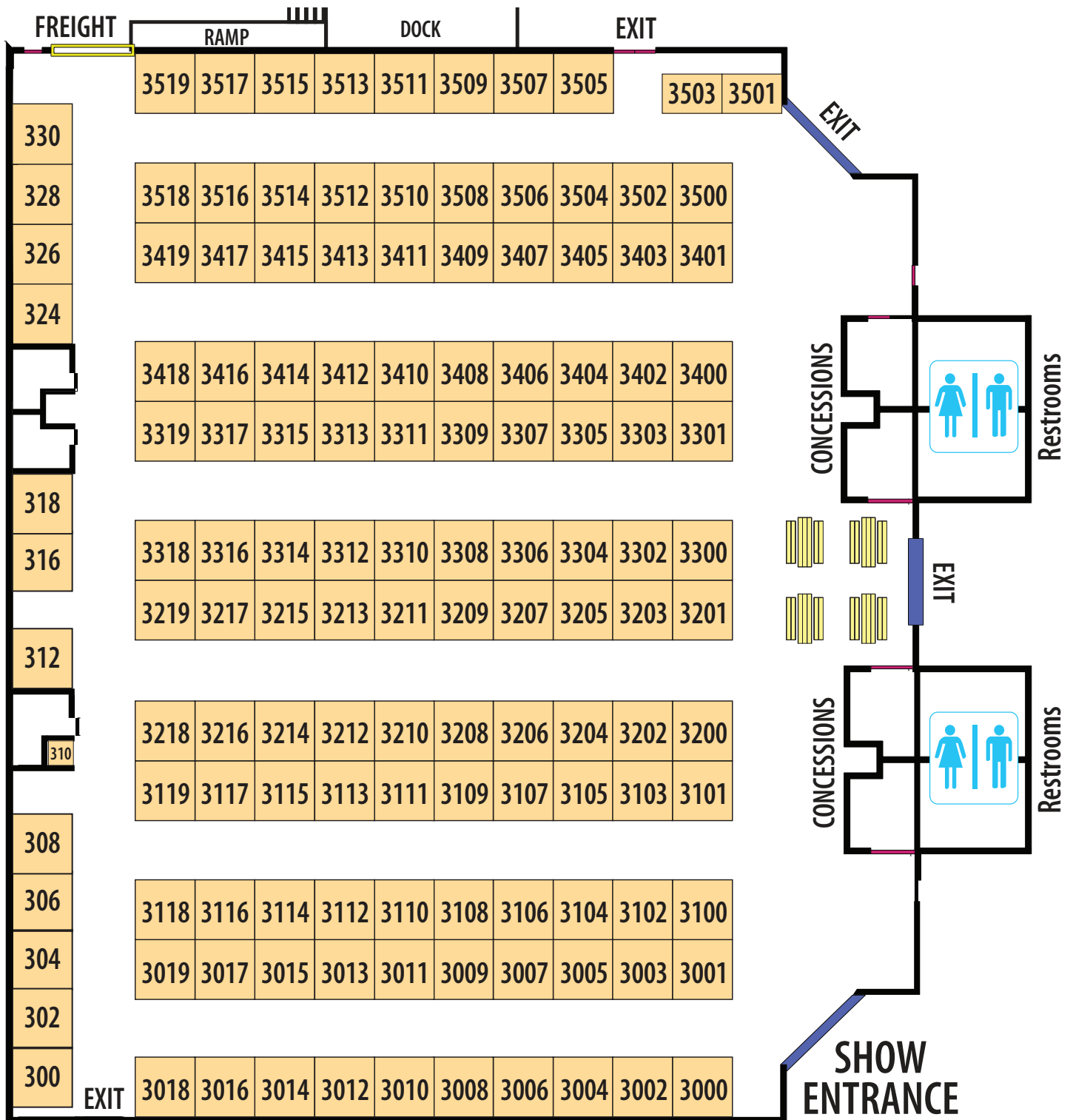




ALBUQUERQUE
HOME SHOW | FALL 2022



FLOOR PLAN • Show Dates: October 15-16, 2022

EXPO New Mexico/NM State Fairgrounds • Manuel Lujan Exhibit Hall A

UNDERSIZED BOOTHS (Call for Pricing)
Booths 310, 3501 and 3503 are Undersized Booths