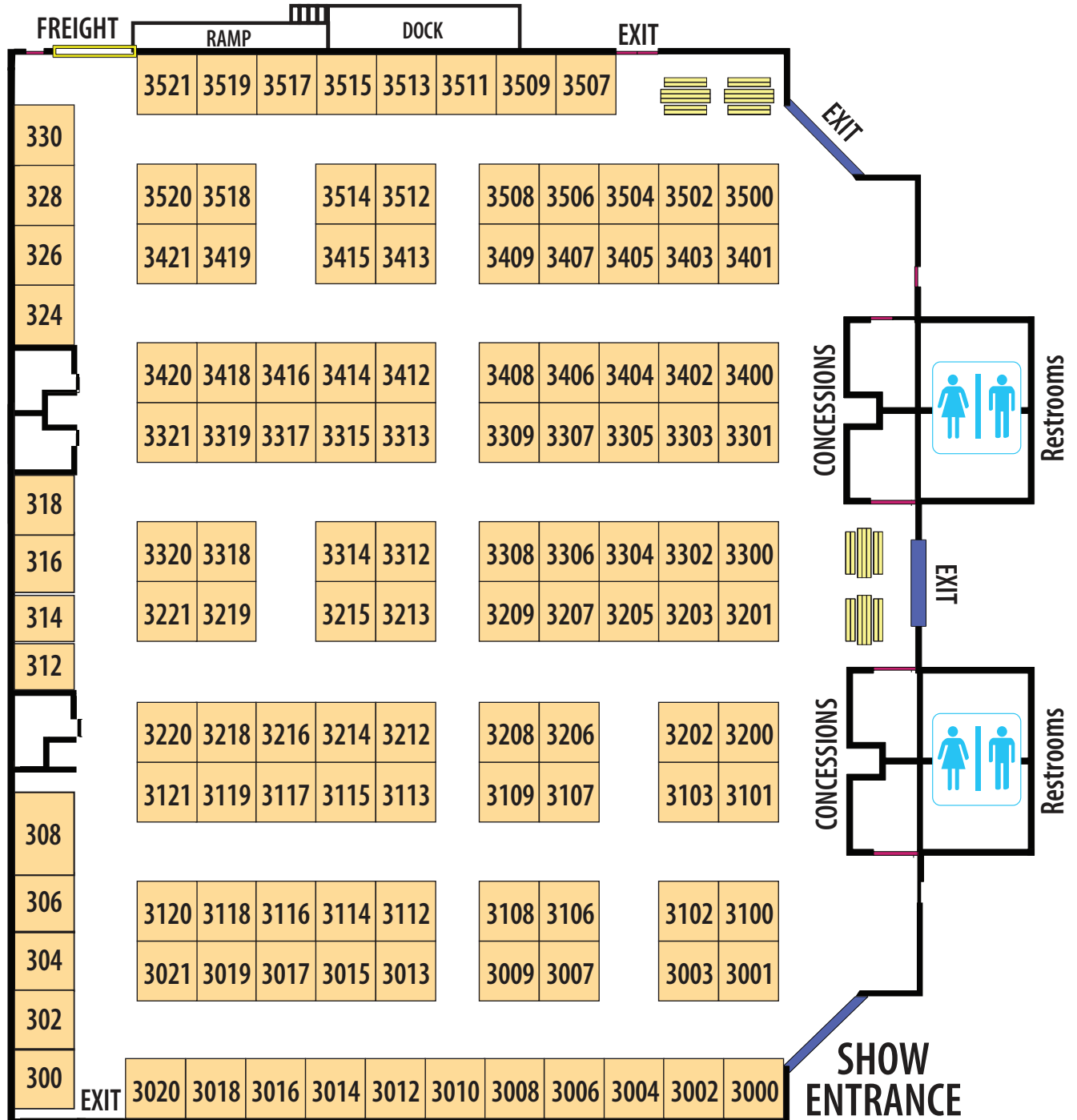




ALBUQUERQUE  
**HOME SHOW** | FALL 2023



**FLOOR PLAN • Show Dates: October 21-22, 2023**

EXPO New Mexico/NM State Fairgrounds  
Manuel Lujan Exhibit Hall A

**OVERSIZED & UNDERSIZED BOOTHS (Call for Pricing)**  
Booths 312 & 314 are Undersized Booths. Booth 308 is an Oversized Booth.